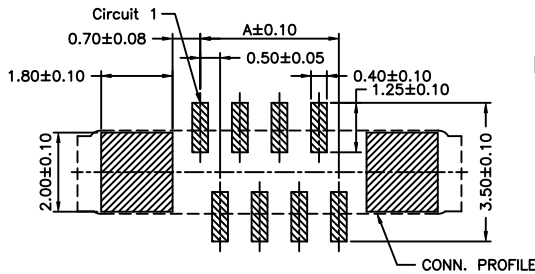
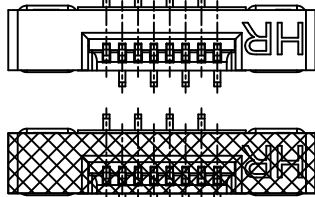
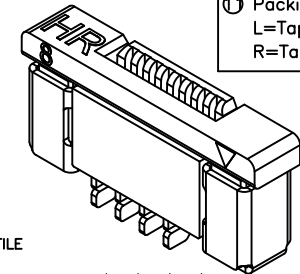
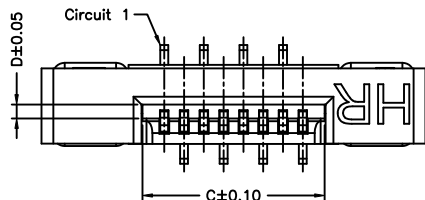


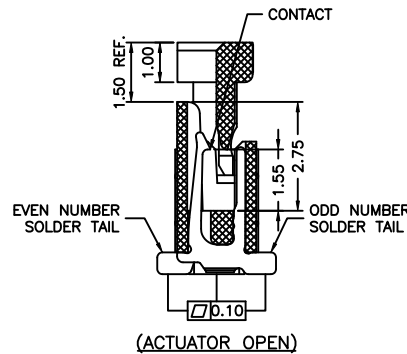
RECOMMENDED FFC/FPC DIMENSION



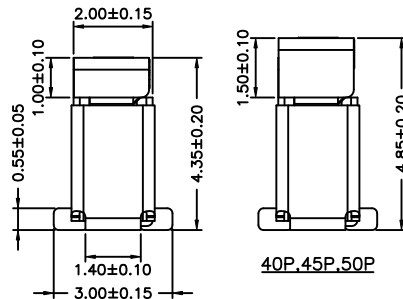
SUGGESTED PCB LAYOUT (COMPONENT SIDE)



KAPTON TAPE (FOR PICK AND PLACE SYSTEMS)



(ACTUATOR OPEN)



40P, 45P, 50P

P/N LEGEND

F0500 WVA-S-XP N L X XX X XX X
 ① ② ③ ④ ⑤ ⑥ ⑦ ⑧ ⑨ ⑩ ⑪

- ① Series No.
- ② Connector type: WVA=Vertical A Type
- ③ Mounting type: S=SMT
- ④ No. of circuits
- ⑤ N=Halogen Free
- ⑥ Material: L=LCP
- ⑦ Color: N=Natural(Beige);B=Natural(Black)
- ⑧ Plating code for contacts:
G1=Gold-flash; T1=Matte Tin-plated
S4=Gold-Plated 10u"on contact area ,
Gold-flash on solder area
G4=Gold-flash10u"
- ⑨ Plating code for solder tabs:
G=Gold-flash;T=Matte Tin-plated
- ⑩ Option code: 00=Standard
01=Cap Material is LCP
- ⑪ Packing code:
L=Tape & Reel(With Mylar)
R=Tape & Reel(Without Mylar)

SPECIFICATIONS

Current Rating: 0.5A AC,DC
 Voltage Rating: 50V AC,DC
 Temperature Range: -25°C ~ +85°C
 Contact Resistance: 30mΩ Max.
 Insulation Resistance: 100MΩ Min.
 Withstanding Voltage: 250V AC/minute
 Contacts: Phosphor Bronze
 Solder Tabs: Brass
 Housing: LCP,UL94V-0,Natural(Beige) or (Black)
 Actuator: Nylon 6T,UL94V-0,Natural(Black)
 or LCP,UL94V-0,Natural (Black)

Circuit No.	Dimensions				Circuit No.	Dimensions			
	A	B	C	D		A	B	C	D
04P	1.50	7.70	2.60	0.300	25P	12.00	18.20	13.10	0.350
05P	2.00	8.20	3.10	0.300	26P	12.50	18.70	13.60	0.350
06P	2.50	8.70	3.60	0.300	27P	13.00	19.20	14.10	0.350
07P	3.00	9.20	4.10	0.350	28P	13.50	19.70	14.60	0.350
08P	3.50	9.70	4.60	0.350	29P	14.00	20.20	15.10	0.350
09P	4.00	10.20	5.10	0.350	30P	14.50	20.70	15.60	0.350
10P	4.50	10.70	5.60	0.350	31P	15.00	21.20	16.10	0.350
11P	5.00	11.20	6.10	0.350	32P	15.50	21.70	16.60	0.350
12P	5.50	11.70	6.60	0.350	33P	16.00	22.20	17.10	0.350
13P	6.00	12.20	7.10	0.350	34P	16.50	22.70	17.60	0.350
14P	6.50	12.70	7.60	0.350	35P	17.00	23.20	18.10	0.350
15P	7.00	13.20	8.10	0.350	36P	17.50	23.70	18.60	0.350
16P	7.50	13.70	8.60	0.350	37P	18.00	24.20	19.10	0.350
17P	8.00	14.20	9.10	0.350	38P	18.50	24.70	19.60	0.350
18P	8.50	14.70	9.60	0.350	39P	19.00	25.20	20.10	0.350
19P	9.00	15.20	10.10	0.350	40P	19.50	25.70	20.60	0.350
20P	9.50	15.70	10.60	0.350	45P	22.00	28.20	23.10	0.350
21P	10.00	16.20	11.10	0.350	49P	24.00	30.20	25.10	0.350
22P	10.50	16.70	11.60	0.350	50P	24.50	30.70	25.60	0.350
23P	11.00	17.20	12.10	0.350	51P	25.00	31.20	26.10	0.350
24P	11.50	17.70	12.60	0.350					



燦達電子工業股份有限公司
 JOINT TECH ELECTRONIC IND. CO., LTD.

UNIT SCALE SHEET
 mm 1:1 1 of 3

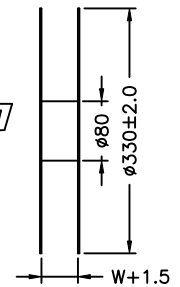
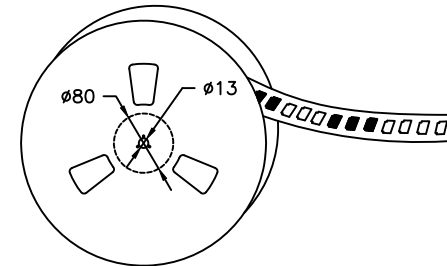
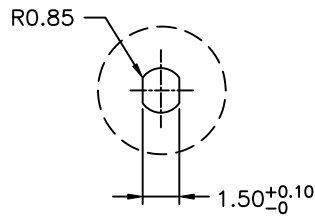
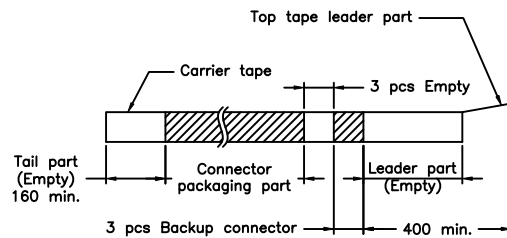
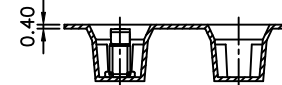
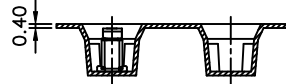
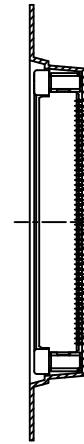
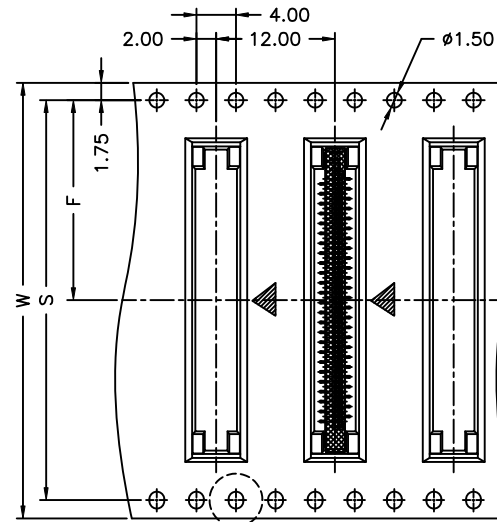
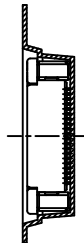
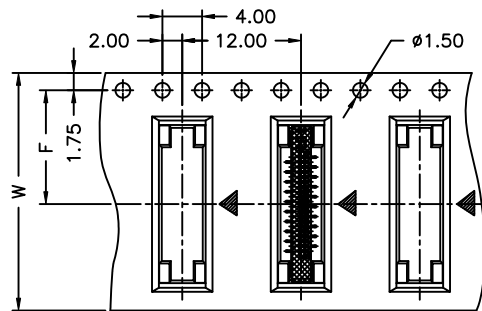
DRAWN BY 權生新 2012.08.01
 APPROVED BY 董正一 2012.08.01

GENERAL TOLERANCE

X. X±0.25 ANGLE±
 X. XX±0.15
 X. XXX±0.05

TITLE:
 0.50mm PITCH
 FFC/FPC CONNECTOR,
 180° SMT TYPE, ZIF
 DRAW NO.: F0500WVA-S-XP...
 REV. A3

REV.	DESCRIPTION	DATE	NAME
A3	EN1507010002	2015.07.02	李志深
A2	EN1409100001	2014.09.10	郭木恩
A1	EN1210300350	2012.10.30	權生新
A0	NEW RELEASE	2012.08.01	權生新



NOTE:

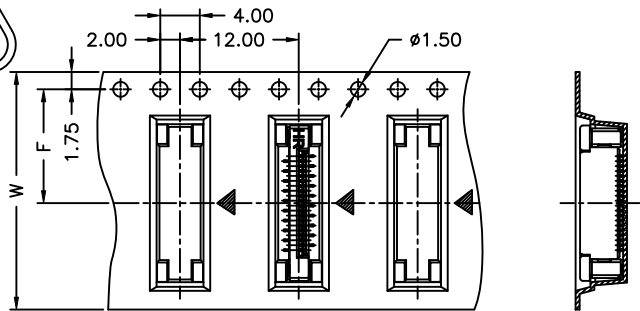
Material: Transparent
Anti-static Polystyrene.

Number of Contacts	W±0.3	F±0.1	S±0.1	Q'ty/Reel	Number of Contacts	W±0.3	F±0.1	S±0.1	Q'ty/Reel
04P	16	7.50		1,000	25P	32	14.20	28.40	1,000
05P	24	11.50		1,000	26P	32	14.20	28.40	1,000
06P	24	11.50		1,000	27P	32	14.20	28.40	1,000
07P	24	11.50		1,000	28P	32	14.20	28.40	1,000
08P	24	11.50		1,000	29P	32	14.20	28.40	1,000
09P	24	11.50		1,000	30P	32	14.20	28.40	1,000
10P	24	11.50		1,000	31P	32	14.20	28.40	1,000
11P	24	11.50		1,000	32P	32	14.20	28.40	1,000
12P	24	11.50		1,000	33P	44	20.20	40.40	1,000
13P	24	11.50		1,000	34P	44	20.20	40.40	1,000
14P	24	11.50		1,000	35P	44	20.20	40.40	1,000
15P	24	11.50		1,000	36P	44	20.20	40.40	1,000
16P	24	11.50		1,000	37P	44	20.20	40.40	1,000
17P	24	11.50		1,000	38P	44	20.20	40.40	1,000
18P	24	11.50		1,000	39P	44	20.20	40.40	1,000
19P	24	11.50		1,000	40P	44	20.20	40.40	1,000
20P	24	11.50		1,000	45P	44	20.20	40.40	1,000
21P	24	11.50		1,000	49P	44	20.20	40.40	1,000
22P	32	14.20	28.40	1,000	50P	44	20.20	40.40	1,000
23P	32	14.20	28.40	1,000	51P	44	20.20	40.40	1,000
24P	32	14.20	28.40	1,000					

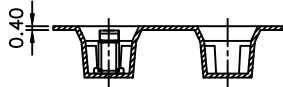
				燦達電子工業股份有限公司 JOINT TECH ELECTRONIC IND. CO., LTD.			
		UNIT	SCALE	SHEET		TITLE:	
		mm	1 : 1	2 of 3		0.50mm PITCH FFC/FPC CONNECTOR 180° SMT TYPE, ZIF, TAPING SPEC.	
		DRAWN BY		APPROVED BY		DRAW NO. :	
		權生新		董正一		F0500WVA-S-XPNLXXXXXX	
		2012.08.01		2012.08.01		REV. A3	
		GENERAL TOLERANCE					
A3	EN1507010002	2015.07.02	李志深	X. X±0.25	ANGLE±		
A2	EN1409100001	2014.09.10	郭木恩	X. XX±0.15			
A1	EN1210300350	2012.10.30	權生新	X. XXX±0.05			
A0	NEW RELEASE	2012.08.01	權生新				
REV.	DESCRIPTION	DATE	NAME				



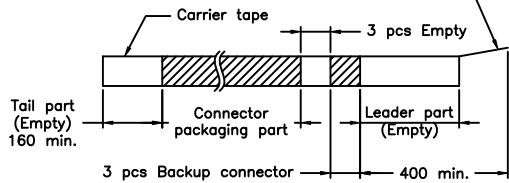
04~21 Contacts



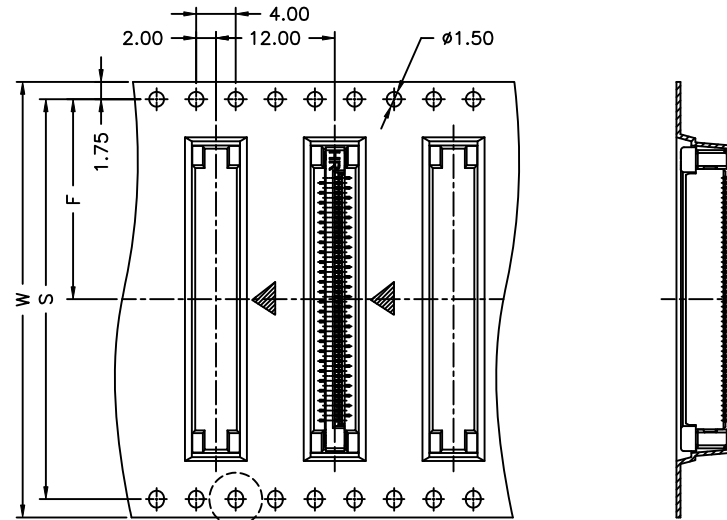
Unreeling direction →



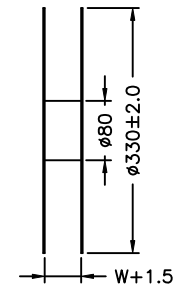
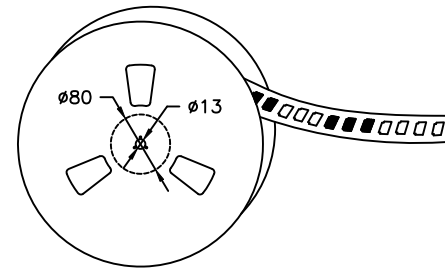
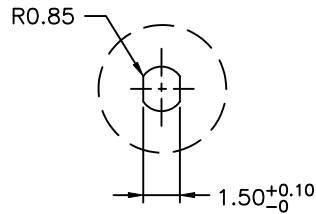
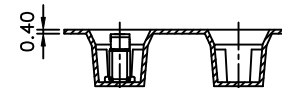
Top tape leader part



22~51 Contacts



Unreeling direction →



NOTE:

Material: Transparent
Anti-static Polystyrene.

Number of Contacts	W±0.3	F±0.1	S±0.1	Q'ty/Reel	Number of Contacts	W±0.3	F±0.1	S±0.1	Q'ty/Reel
04P	16	7.50		1,000	25P	32	14.20	28.40	1,000
05P	24	11.50		1,000	26P	32	14.20	28.40	1,000
06P	24	11.50		1,000	27P	32	14.20	28.40	1,000
07P	24	11.50		1,000	28P	32	14.20	28.40	1,000
08P	24	11.50		1,000	29P	32	14.20	28.40	1,000
09P	24	11.50		1,000	30P	32	14.20	28.40	1,000
10P	24	11.50		1,000	31P	32	14.20	28.40	1,000
11P	24	11.50		1,000	32P	32	14.20	28.40	1,000
12P	24	11.50		1,000	33P	44	20.20	40.40	1,000
13P	24	11.50		1,000	34P	44	20.20	40.40	1,000
14P	24	11.50		1,000	35P	44	20.20	40.40	1,000
15P	24	11.50		1,000	36P	44	20.20	40.40	1,000
16P	24	11.50		1,000	37P	44	20.20	40.40	1,000
17P	24	11.50		1,000	38P	44	20.20	40.40	1,000
18P	24	11.50		1,000	39P	44	20.20	40.40	1,000
19P	24	11.50		1,000	40P	44	20.20	40.40	1,000
20P	24	11.50		1,000	45P	44	20.20	40.40	1,000
21P	24	11.50		1,000	49P	44	20.20	40.40	1,000
22P	32	14.20	28.40	1,000	50P	44	20.20	40.40	1,000
23P	32	14.20	28.40	1,000	51P	44	20.20	40.40	1,000
24P	32	14.20	28.40	1,000					



燦達電子工業股份有限公司
JOINT TECH ELECTRONIC IND. CO., LTD.

UNIT	SCALE	SHEET
mm	1 : 1	3 of 3
DRAWN BY		
權生新		
2012.08.01		
APPROVED BY		
董正一		
2012.08.01		
GENERAL TOLERANCE		
A3	EN1507010002	2015.07.02 李志深
A2	EN1409100001	2014.09.10 郭木思
A1	EN1210300350	2012.10.30 權生新
A0	NEW RELEASE	2012.08.01 權生新
REV.	DESCRIPTION	DATE NAME

TITLE:
0.50mm PITCH FFC/FPC CONNECTOR 180° SMT TYPE, ZIF, TAPING SPEC.
DRAW NO. : F0500WVA-S-XPNLXXXXXX
REV. A3